



BOOTH

A wall-mounted telephone hood that provides instant and temporary privacy. The velvety shelter in every interior.



ATTENUATION

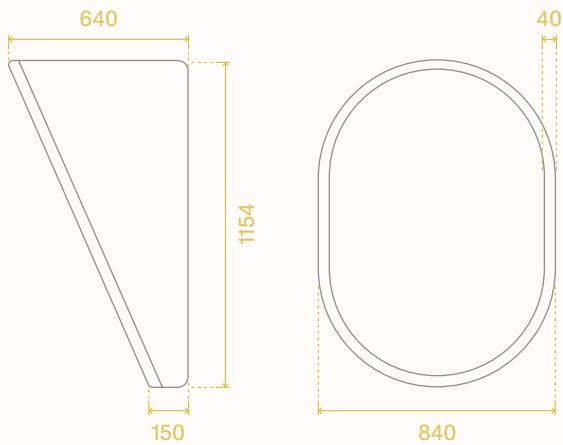


MEDIUM
& HIGH TONES

MUTE.

SHAPE AND DIMENSIONS mm

+/- 3 mm **WEIGHT 23 kg**



FIXING SYSTEMS

Booth is a product designed to be mounted on the wall.

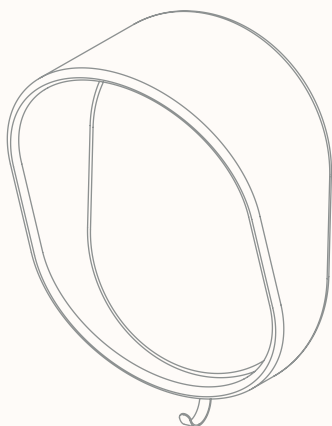
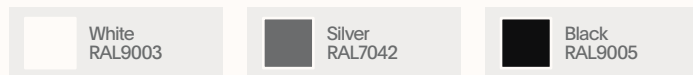
- Wall mounting screws are not included. Please select the appropriate screws and plugs for the type of wall.

COMPOSITION

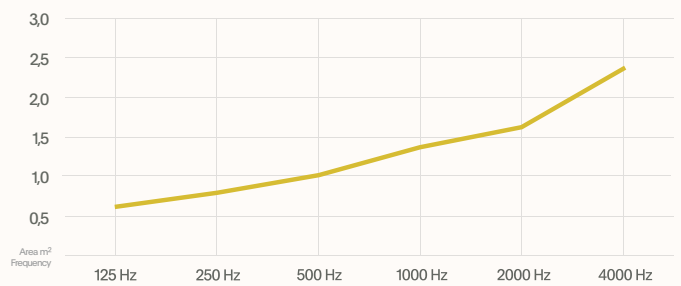
- Fabrics of choice
- HDF
- Melamine foam
- Powder coated steel hook (optional)
- Wooden pine structure

HOOK COLORS

Booth can be additionally provided with a bag hook with the load capacity of 10 kg. Available in three basic colors.



SOUND ABSORPTION A_{OBJ} PER ISO 354



USAGE

- Reception
- Open-space
- Lobby or foyer

PACKING

Booth is packed in a box with dimensions 660 × 850 × 1180 mm

SELECTION OF STANDARD FABRICS

THE ENTIRE COLOR PALETTE IS AVAILABLE ON [HTTPS://MUTE.DESIGN](https://mute.design)

| NAME | PG | COMPOSITION | WEIGHT g/m ² | WIDTH mm | FLAMMABILITY | ABRASION RES. Martindale cycles | PILLING RES. |
|-------------------------------|----|--|----------------------------|-------------|---|------------------------------------|--------------|
| ERA by Camira | 1 | 100% polyester | 320 | 140 | BS EN 1021-1 BS EN 1021-2 | 100 k | 4 |
| EVO | | 100% polyester | 300 | 160 | BS EN 1021-1 BS EN 1021-2 | 150 k | 5 |
| MEDLEY by Gabriel | 2 | 100% polyester | 364 | 140 | BS EN 1021-1 BS EN 1021-2 | 75 k | 5-7 |
| MICA by Gabriel | | 97% post-cons. recycled polyester, 3% polyester | 218 | 140 | BS EN 1021-1 BS EN 1021-2 | 60 k | 4-5 |
| SPRINT by Camira | | 100% polyester | 325 | 150 | BS EN 1021-1 BS EN 1021-2 | 170 k | 4 |
| CHILI by Gabriel | 3 | 75% post-cons. recycled polyester, 25% polyester | 336 | 140 | BS EN 1021-1 BS EN 1021-2 DIN 4102-B1 | 60 k | 4-5 |
| SYNERGY by Camira | | 95% new wool, 5% polyamide | 400 | 140 | BS EN 1021-1 BS EN 1021-2 | 100 k | 4 |
| REMIX 3 by Kvadrat | 4 | 90% new wool, 10% nylon | 300 | 140 | BS EN 1021-1 BS EN 1021-2 | 100 k | 3-4 |
| SELECT by Gabriel | | 85% New Zealand wool, 15% polyamide | 364 | 140 | BS EN 1021-1 BS EN 1021-2 | 200 k | 4-5 |
| STEELCUT TRIO 3 by Kvadrat | 5 | 90% new wool, 10% nylon | 550 | 140 | BS EN 1021-1 BS EN 1021-2 | 100 k | 4 |

CARE

- Keep the product dry and away from air conditioning and ventilation systems
- Keep away from direct sun light and heat sources
- Vacuum regularly



Optional two-color finish. It is possible to combine two fabrics from the same grade on the back **B** and sides **S** of the product.